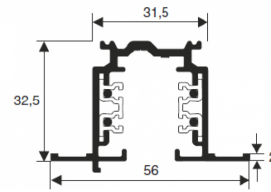


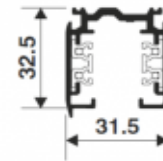
Recessed 3 circuit track

XTSF4100/1	1 meter grey
XTSF4200/1	2 meter grey
XTSF4300/1	3 meter grey
XTSF4100/2	1 meter black
XTSF4200/2	2 meter black
XTSF4300/2	3 meter black
XTSF4100/3	1 meter white
XTSF4200/3	2 meter white
XTSF4300/3	3 meter white



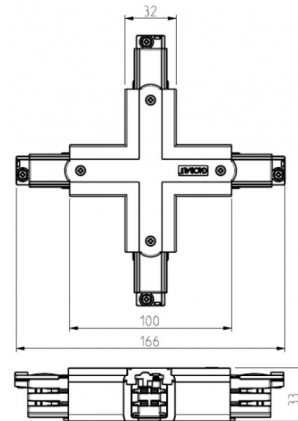
Surface/Suspended 3 circuit track

XTSF4100/1	1 meter grey
XTSF4200/1	2 meter grey
XTSF4300/1	3 meter grey
XTSF4100/2	1 meter black
XTSF4200/2	2 meter black
XTSF4300/2	3 meter black
XTSF4100/3	1 meter white
XTSF4200/3	2 meter white
XTSF4300/3	3 meter white



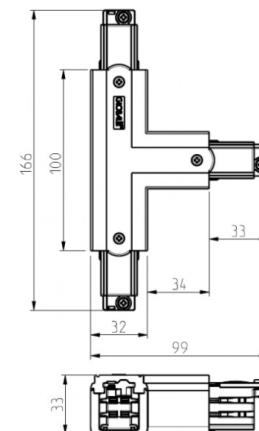
X4 Way Connector

XTS38/1	Grey
XTS38/2	Black
XTS38/3	White



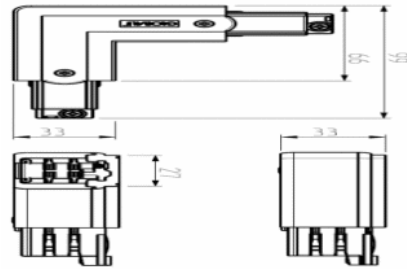
T-Connector

XTS36/1	Grey
XTS36/2	Black
XTS36/3	White
XTS37/1	Grey
XTS37/2	Black
XTS37/3	White
XTS39/1	Grey
XTS39/2	Black
XTS39/3	White
XTS40/1	Grey
XTS40/2	Black
XTS40/3	White



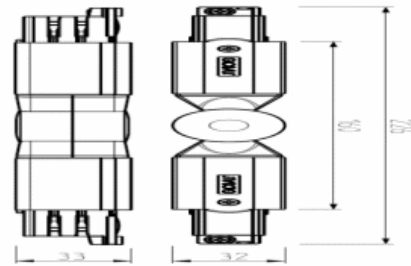
L-Connector

XTS34/1	Grey
XTS34/2	Black
XTS34/3	White
XTS35/1	Grey
XTS35/2	Black
XTS35/3	White



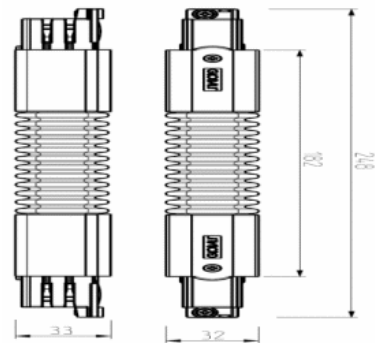
Adjustable Corner 0-90°

XTS24/1	Grey
XTS24/2	Black
XTS24/3	White



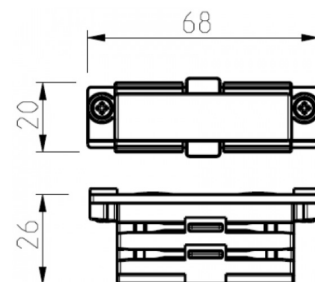
Flexible Corner 0-90°

XTS23/1	Grey
XTS23/2	Black
XTS23/3	White



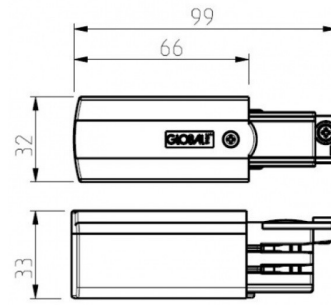
Straight Connector

XTS21/1	Grey
XTS21/2	Black
XTS21/3	White



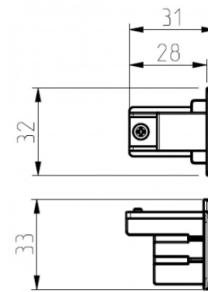
Live End

- XTS11/1
- XTS11/2
- XTS11/3
- XTS12/1
- XTS12/2
- XTS12/3

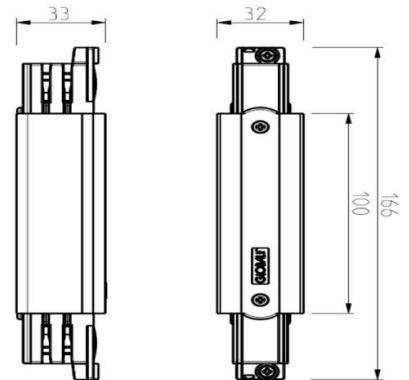


End Cap

- | | |
|---------|-------|
| XTS41/1 | Grey |
| XTS41/2 | Black |
| XTS41/3 | White |



Middle Live Connector Feed

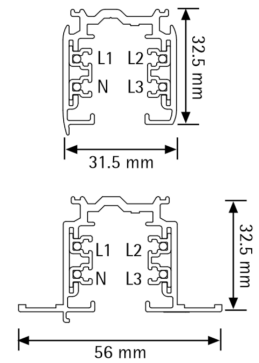
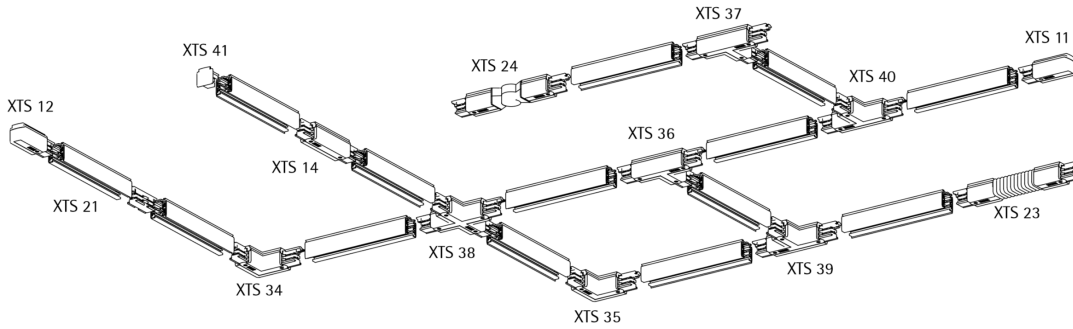
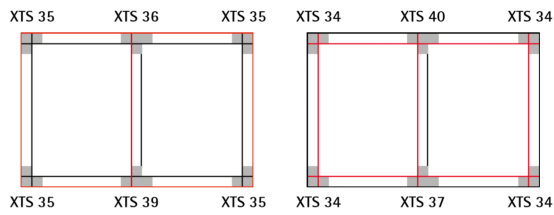


Use of L- and T-accessories

Red line indicates polarity ridge



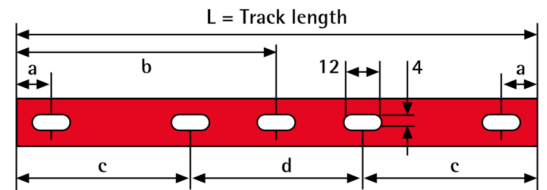
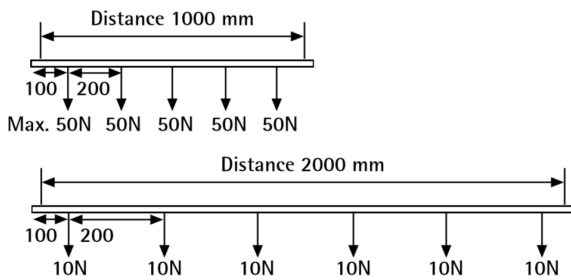
Floor view



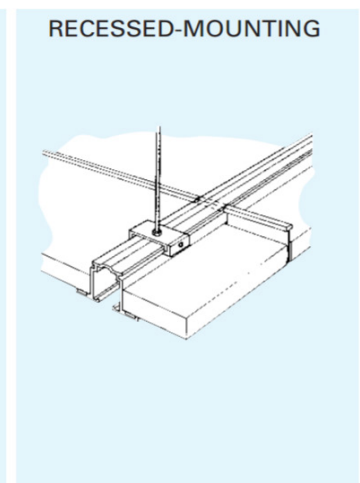
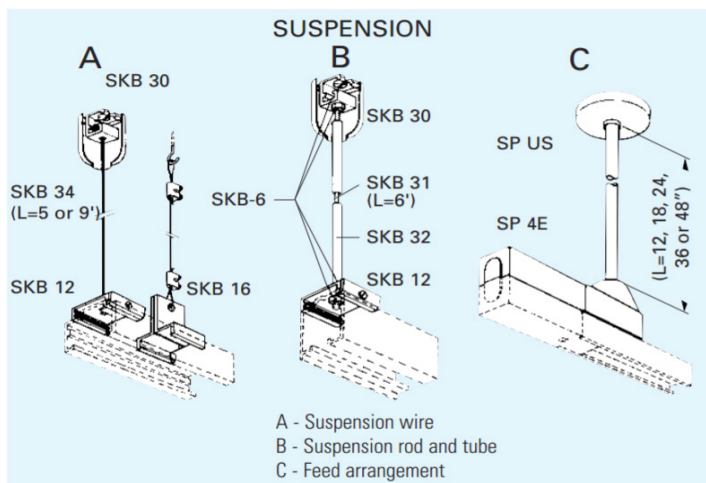
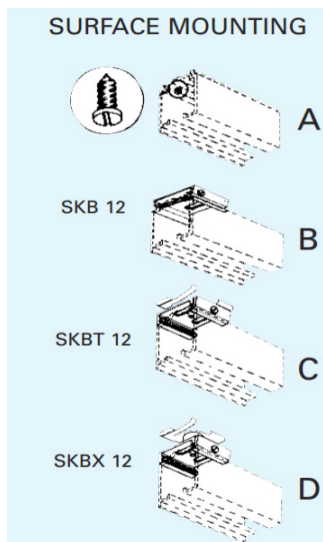
The recommended fastening distance is 1000 mm.

NOTE: A load not heavier than 10 kg may hang on a power takeoff adapter, the pull strength being 100 N (1kp = 9.81N) and the maximum torque 2.5Nm. (GA 69 5kg/50 N).

1000	250		
2000	250	1000	
3000	250	1000	1000
4000	250	1500	1000



Mounting Techniques



- A - Screw mount (track is pre-drilled)
- B - Ceiling clamp
- C - T-Bar ceiling clamp
- D - Recessed T-Bar ceiling clamp

The track is available in 1,2,and 3meter lengths 4 meter available to special order.

Track can be cut to desired length. After cutting, the conductors must be bent using the XTSV 12 bending tool . Consult the installation instructions for directions.